



## Varimesh : profile welded mesh panel system

### FENCING

Protecting the site of your retail store, school or offices is a prime security requirement. One possible solution is the Securex Varimesh fencing system from Advanced Fencing Systems.

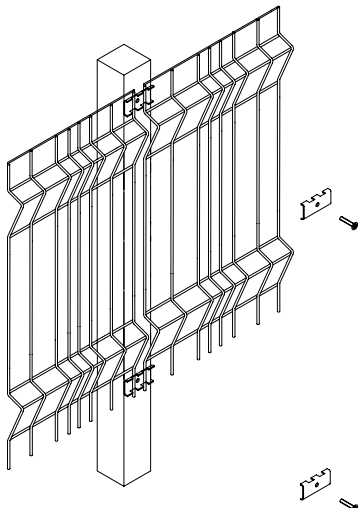
Designed with a modern appearance, the system includes a wide range of exclusive features. Such features include vertical wire spacings which are narrower than standard thus preventing cut-through. Other features include V-shaped pressings, 6mm wire welded at each intersection (increasing strength & rigidity) and a choice of colour finishes. With all these features packed into a fence its no surprise the Securex Varimesh is one more popular fencing systems from Advanced Fencing Systems.



#### Key Features

- A profiled welded mesh panel system which can securely protect many environments (e.g. schools, parks, domestic and commercial properties)
- V-shaped pressings along each panel provide increased lateral rigidity
- Matching single or double swing gates available
- Available with a height of 1800mm, 2000mm and 2400mm
- Supplied in a Green RAL 6005 or Black RAL 9005 finish. Other colours available upon request
- Vertical wires are narrower than standard thus prevented climbing

FENCING



Fence Type	Height (nom.)	Wires V/H*	Mesh Size	Width	Panel lifts	Wt: Gal/PPC	Post Length	Post dimension
Varimesh	1800mm	4mm/6mm	2 x 39mm/3 x 19mm	3052mm	Single	28.5kgs	2500mm	60 x 60 x 2mm
Varimesh	2000mm	4mm/6mm	2 x 39mm/3 x 19mm	3052mm	Single	31kgs	2700mm	60 x 60 x 2mm
Varimesh	2400mm	4mm/6mm	2 x 39mm/3 x 19mm	3052mm	Single	36kgs	3100mm	60 x 60 x 2mm

\*V= Vertical H= Horizontal

**Mesh**

**Wire:** 4mm vertical, 6mm horizontal  
**Mesh size:** Variable 2 x 39mm/ 3 x 19mm vertical (repeated series)  
**Width:** 3052mm  
**Actual Height:** 1760mm, 1960mm, 2440mm  
**Profile:** 70mm wide horizontal beam (4 no. for 2400mm high, 3 no for 2000mm high and 1800mm high)

**Fixings**

Individual clamp fixings  
**Bolts:** Anti-vandal pin hex M8 x 40mm (sheerline available on request)  
**Fixings:** Threaded inserts set at 400mm max

**Posts**

**Construction:** Rectangular Hollow Section  
**Finish:** Galvanized and polyester powder coated  
**Post centres:** 3065mm  
**Post Caps:** Plastic (welded steel available on request)  
**Baseplates:** Not supplied as standard  
**Post Dimensions:** See table above

**Post Options**

- Baseplates
- Wall Mounting Plates
- 90 degree cranks to go over walls
- Cranks or straight extensions to receive barbed or razor wire

**Gates**

- Single or double swing
- Cantilever of tracked sliding gates
- Manual or powered opening available with a choice of entry control options
- Cladding: Mesh or vertical bar

**Finish**

- Galvanised and polyester powder coated Green RAL 6005 or Black RAL 9005
- Other RAL colours available on request.

**Installation**

**Post centres:** 3065mm  
**Concrete:** Minimum half depth  
**Panels:** Set at maximum 50mm above ground level  
**Slopes:** Step panels and cut or add additional posts as necessary

**Working with you - the complete service**

All products are manufactured and guaranteed to current BS and EN standards. We are able to offer design services, technical support and site visits. Installation advice and technical drawings are available on request. All quotations, advice and site visits are carried out free of charge. All products are supplied subject to our terms and conditions of sale.

